

PROJECT INFORMATION

MITCHELL PARK
MARKERS

Enter address here

ISSUANCE AND REVISIONS

CONSTRUCTION
DOCUMENTS

#	DATE	DESCRIPTION

SHEET INFORMATION

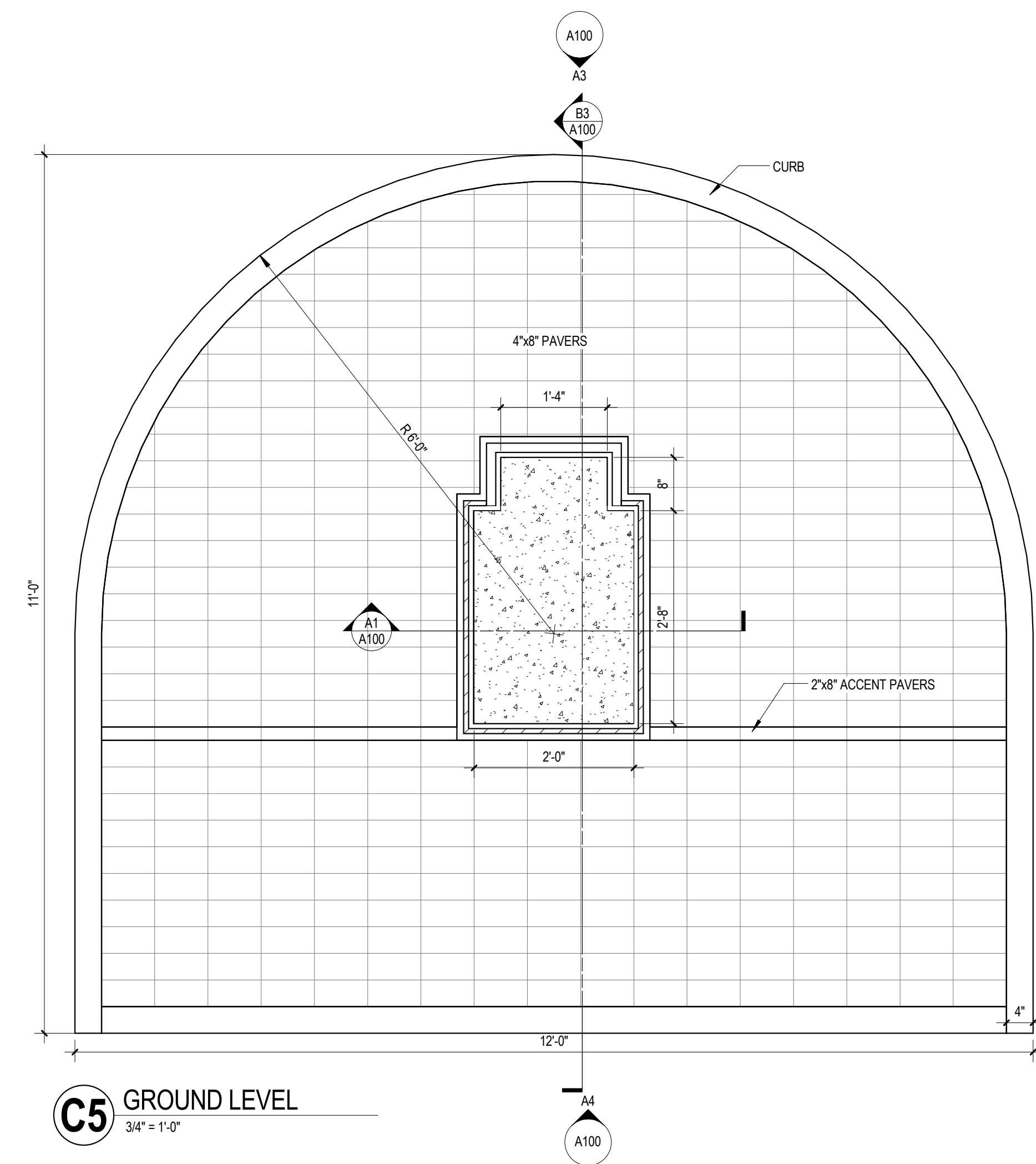
PROJECT MANAGER JM

PROJECT NUMBER 10267

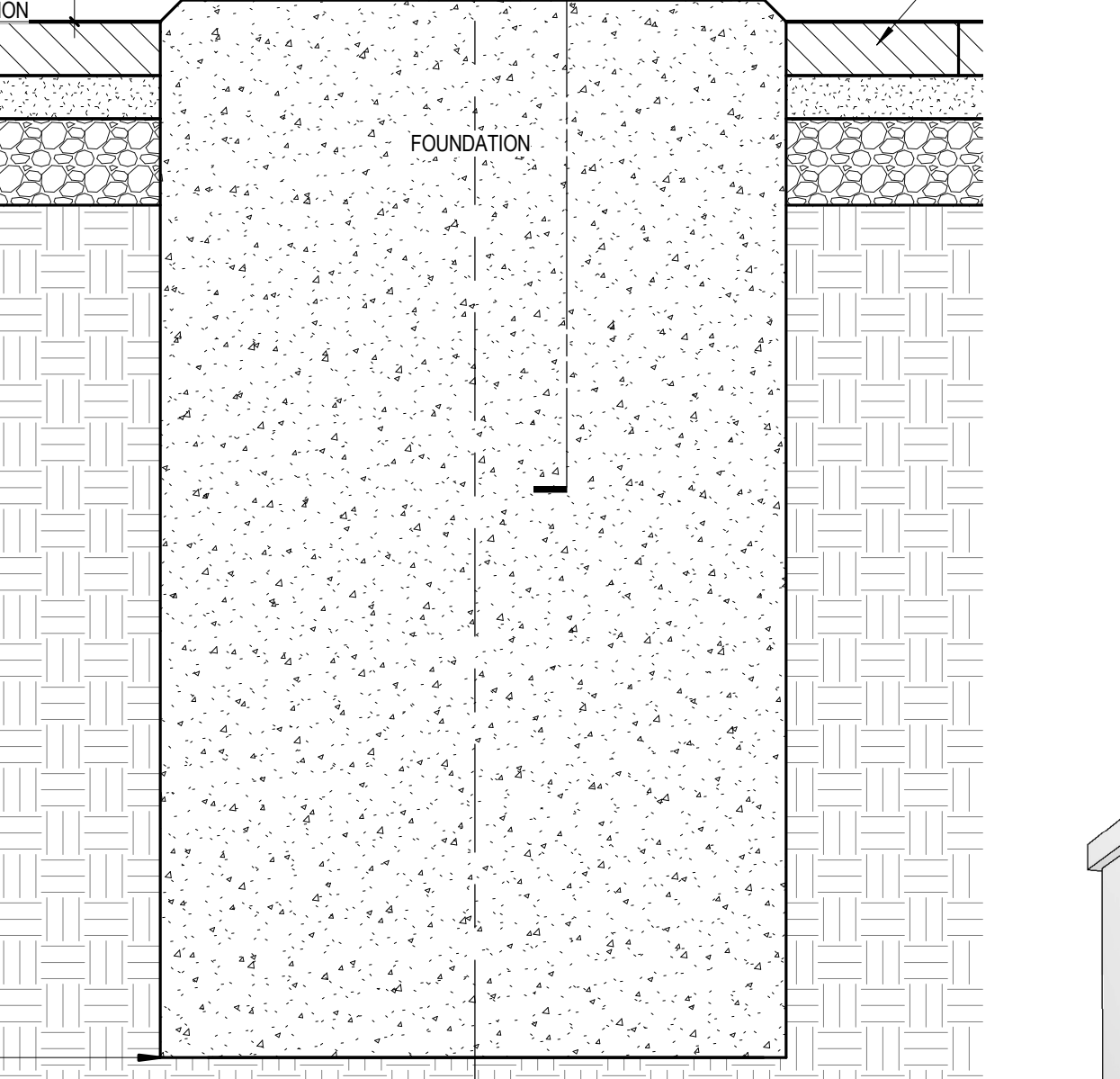
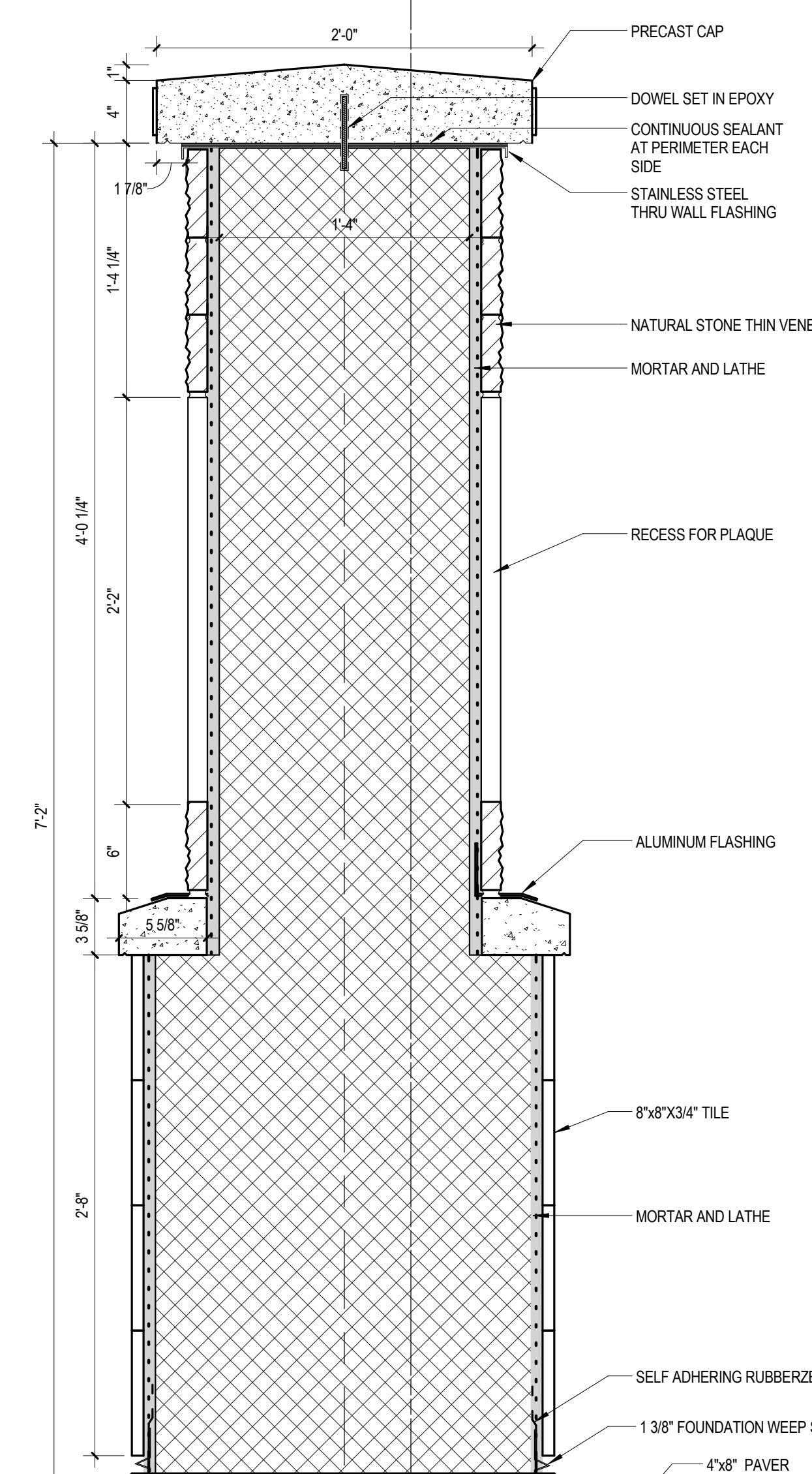
DATE 7/7/2014

MITCHELL PARK
MARKERS

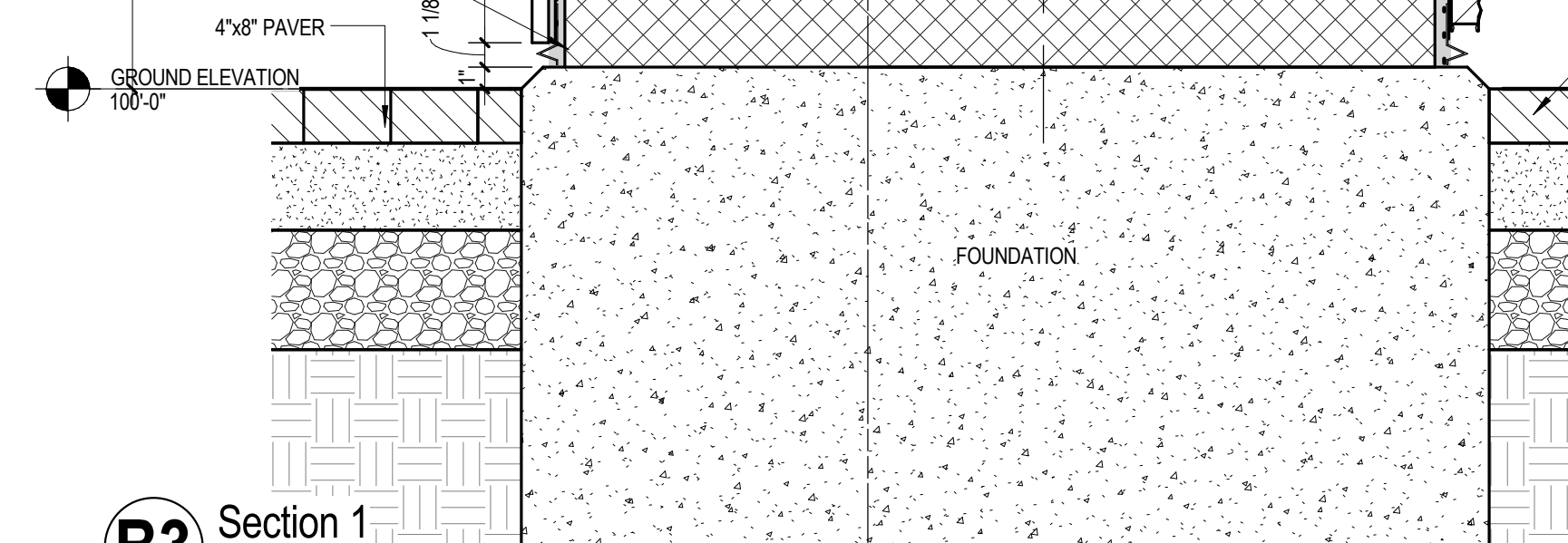
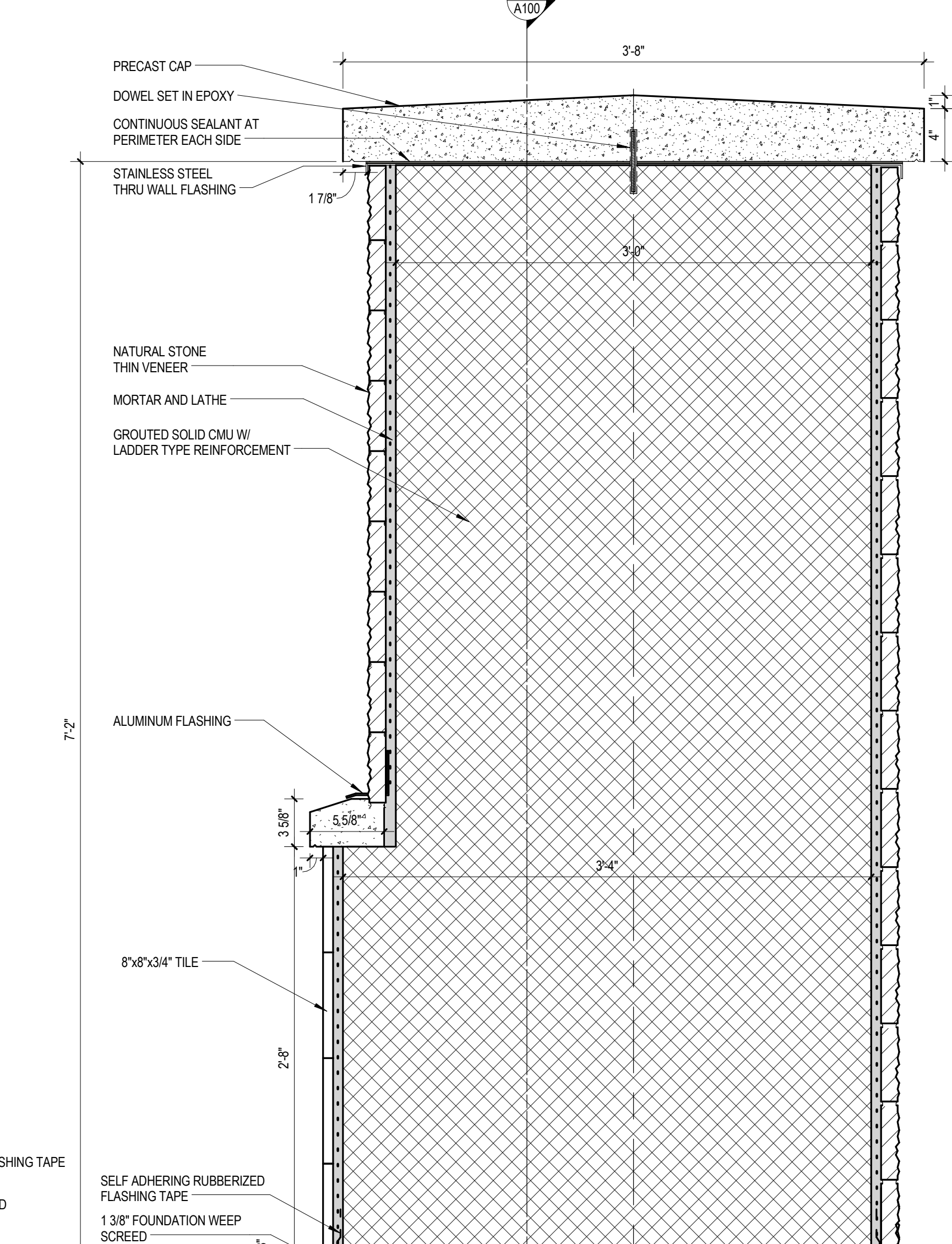
A100



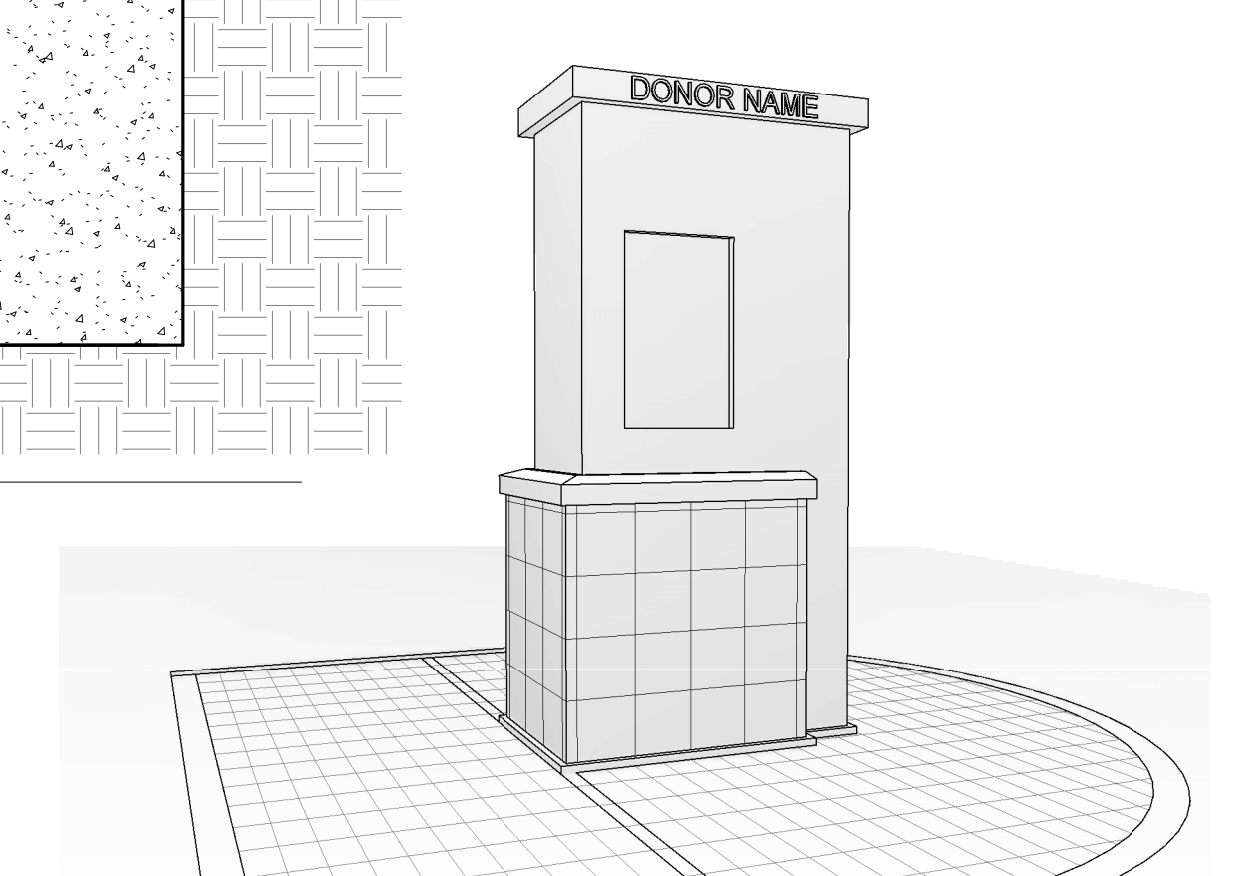
C5 GROUND LEVEL
3/4" = 1'-0"



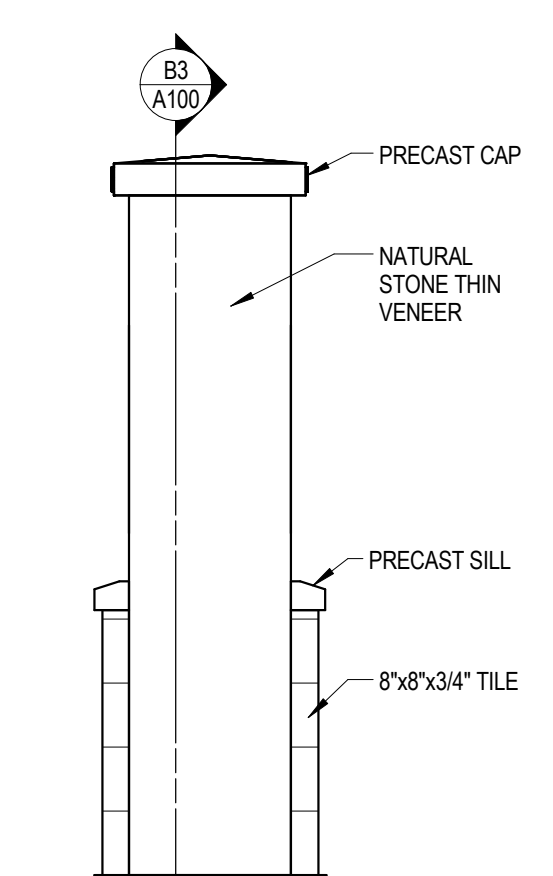
A1 Section 2
1 1/2" = 1'-0"



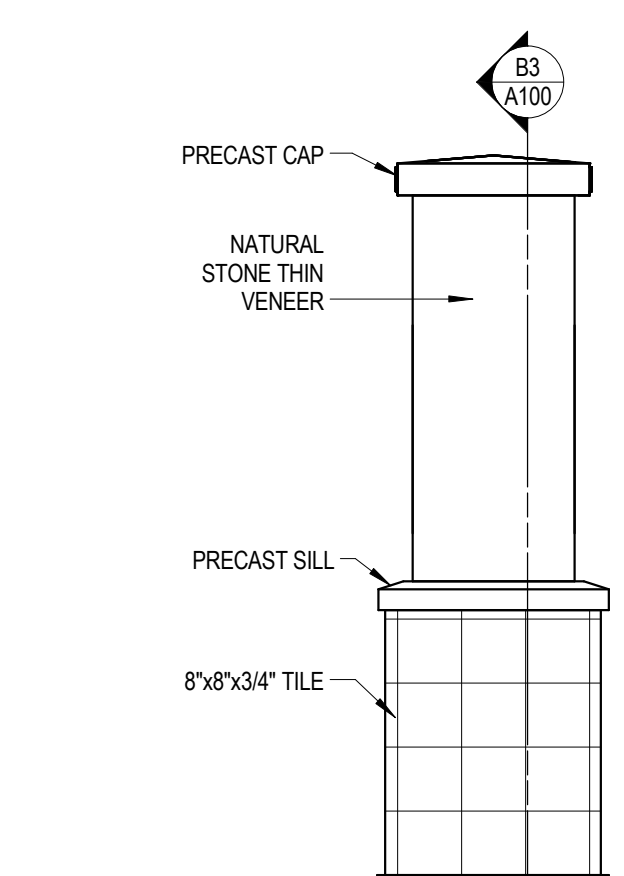
B3 Section 1
1 1/2" = 1'-0"



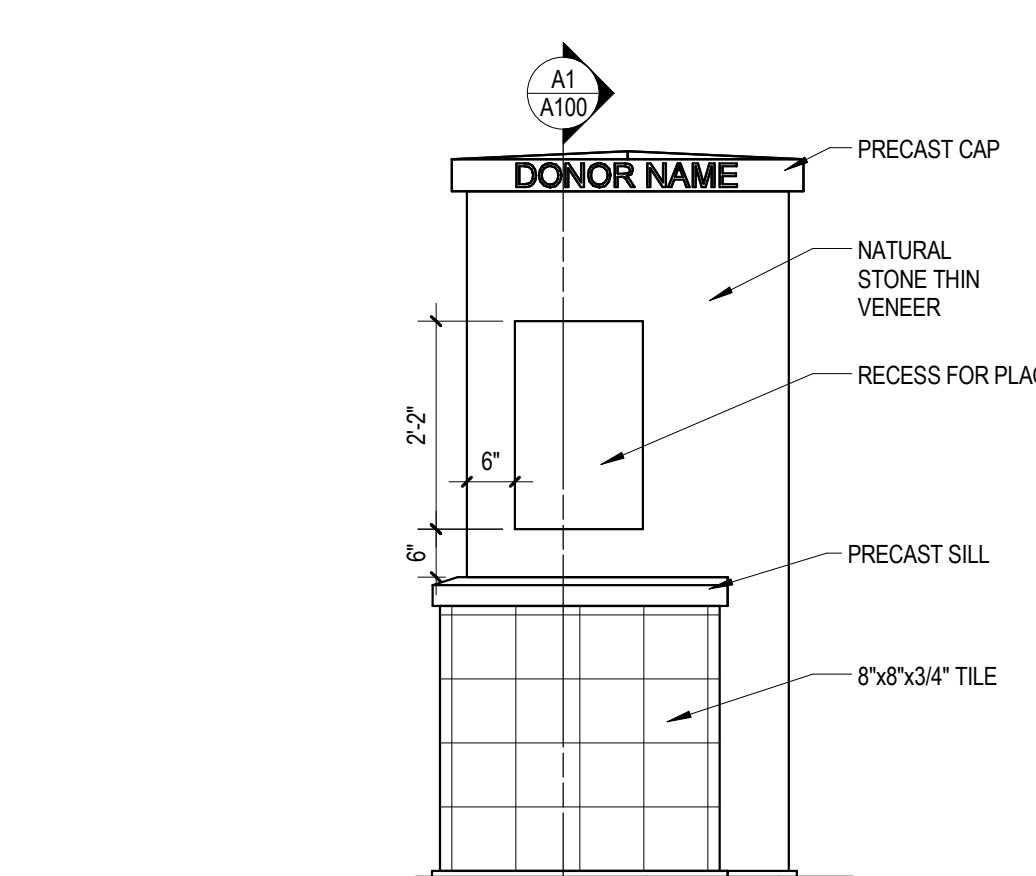
A2 3D View



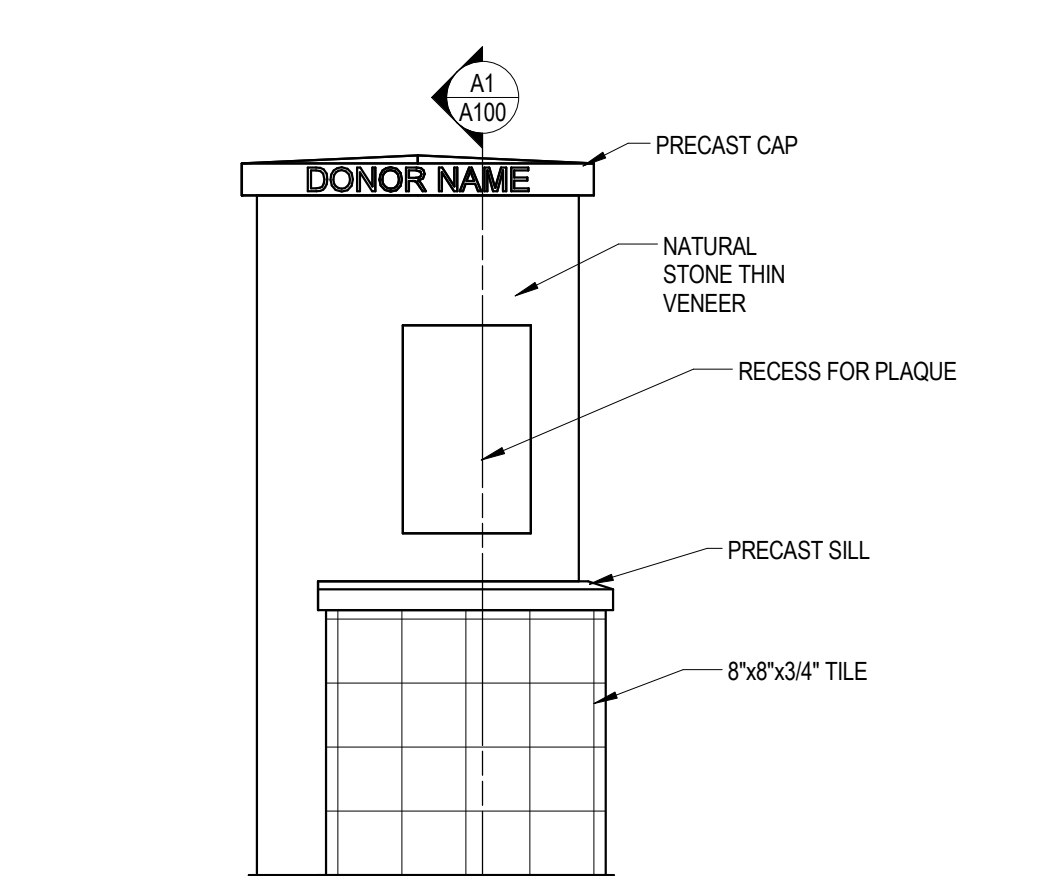
A3 North
1/2" = 1'-0"



A4 South
1/2" = 1'-0"



A5 East
1/2" = 1'-0"



A6 West
1/2" = 1'-0"

D

C

B

A

D

C

B

A

1

2

3

4

5

6

1

2

3

4

5

6