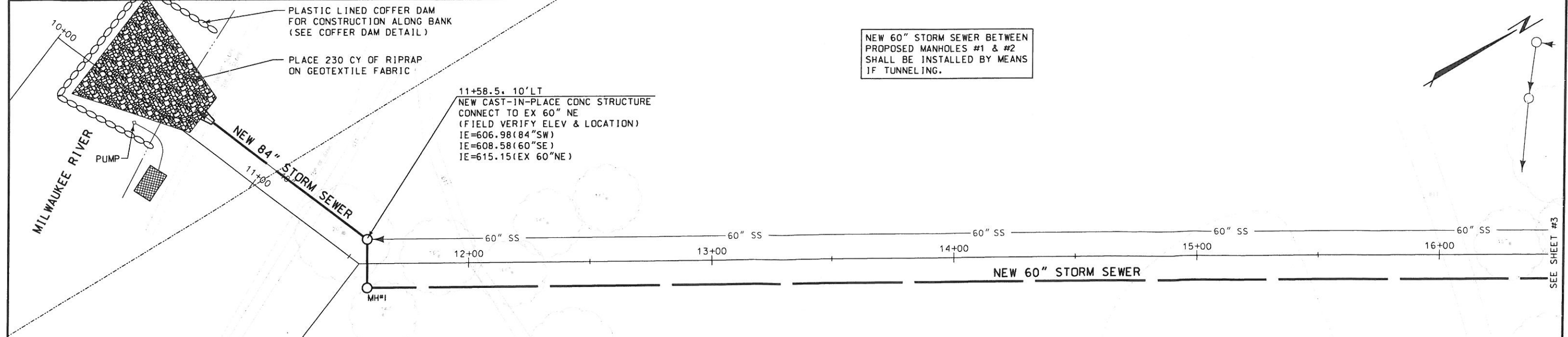


REVISION/PLOT DATE SH+08_Plan&Prof1.eEstabrookPh2.dgn 6/26/2012
 PLOT BY: T. Bryson, CPE, EIT

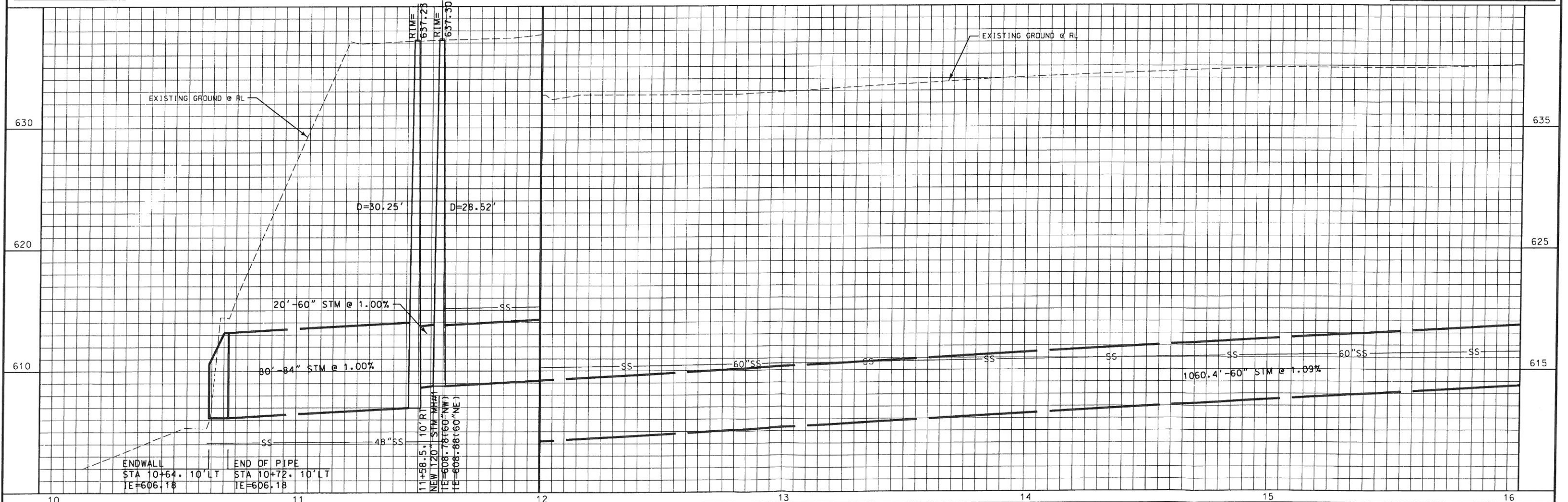


NEW 60" STORM SEWER BETWEEN PROPOSED MANHOLES #1 & #2 SHALL BE INSTALLED BY MEANS OF TUNNELING.

DEWATER COFFER DAM AREA WITH WATER BEING PUMPED INTO TYPE 1 GEOTEXTILE FILTER BAG LOCATED ON FLAT BED OF RIPRAP. FIELD LOCATE BEST AREA FOR FILTER BAG. CLEAN SEDIMENT FROM BAG DAILY OR AS NEEDED.

THE LOCATION OF UNDERGROUND STRUCTURES OR FACILITIES SHOWN ON THE PLANS ARE BASED ON AVAILABLE RECORDS AT THE TIME OF PREPARATION AND ARE NOT GUARANTEED TO BE COMPLETE OR CORRECT. THE CONTRACTOR IS RESPONSIBLE FOR CONTACTING ALL UTILITIES 72 HOURS PRIOR TO CONSTRUCTION TO DETERMINE THE EXACT LOCATION OF ALL FACILITIES AND TO PROVIDE ADEQUATE PROTECTION DURING THE COURSE OF THE WORK.

ESTABROOK PARK



NO.	REVISIONS	BY	DATE

VERIFY SCALES	DRAWN BY:	DESIGNED BY:
BAR IS ONE INCH ON ORIGINAL DRAWING.	PRELIM B.J.G.	C. WALTER
IF NOT ONE INCH ON THIS SHEET, ADJUST SCALES ACCORDINGLY.	FINAL B.J.G.	CHECKED BY:
		T. HARTJES
	DATE	SCALE
	APRIL, 2012	HORZ: 1"=20'
		VERT: 1"=4'
	REVIS TO CONFORM TO CONSTRUCTION RECORDS	
	DATE	

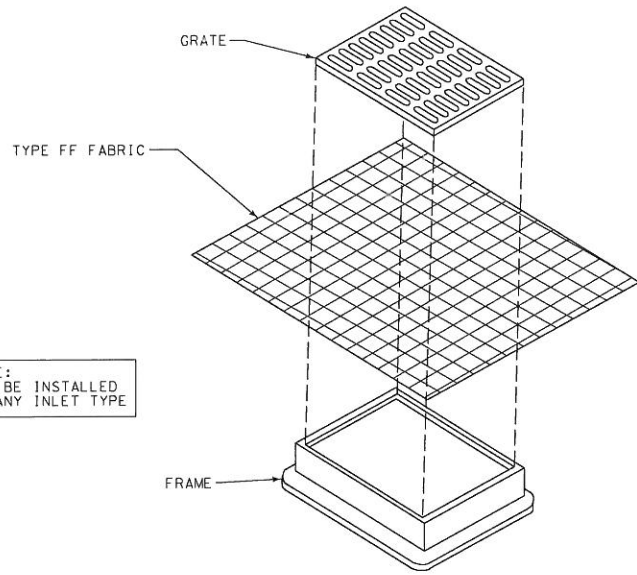
CRISPELL-SNYDER, INC.
 PROFESSIONAL CONSULTANTS
 Lake Geneva (262)348-5600 Madison (608)244-6277 Milwaukee Regional (262)250-8000
 Racine (262)554-8530 Fox Valley (715)752-4620

**SOUTH SIDE STORM WATER IMPROVEMENTS
 PHASE 2 ESTABROOK PARK
 VILLAGE OF WHITEFISH BAY
 MILWAUKEE COUNTY, WISCONSIN**

PROJECT NO.	R11-0861-100
SHEET NO.	8 OF 16
FILE NO.	f-

ALL RIGHTS RESERVED

REVISION/PLOT DATE
 ErosionControlDetail.s.dgn 7/11/2012
 Plot By: chriss.walter
 wpsas0205



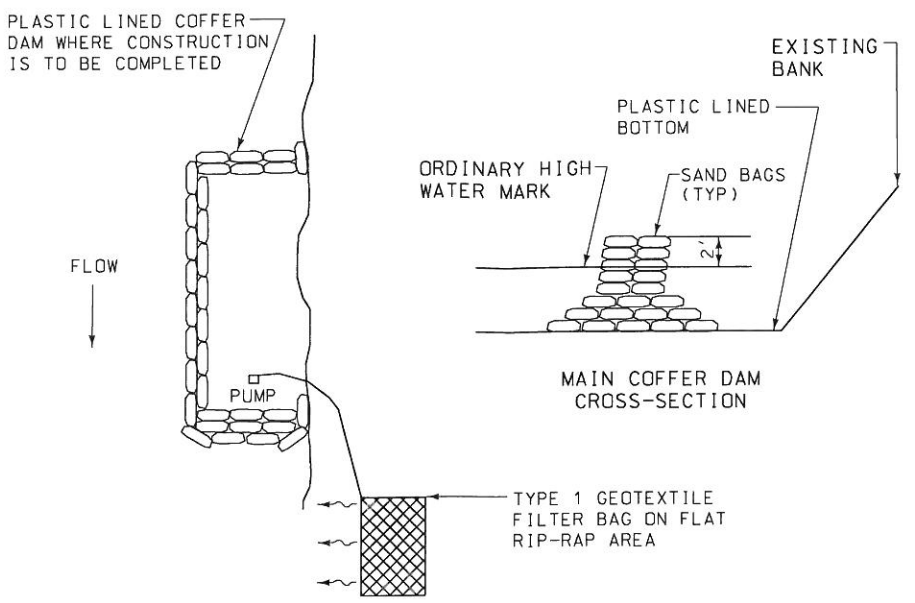
NOTE:
CAN BE INSTALLED
ON ANY INLET TYPE

PLAN VIEW

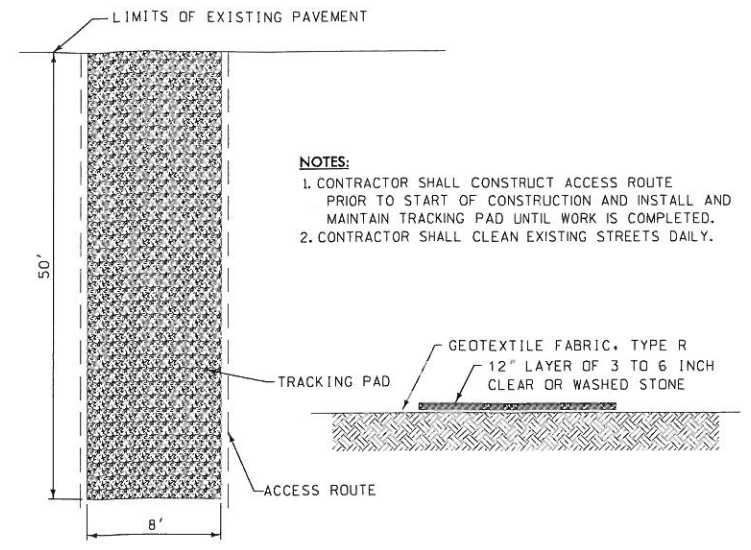
GENERAL NOTES:

FABRIC SIZE SHALL BE 6" GREATER ON ALL SIDES OF THE INLET COVER.
 FABRIC SHALL BE REPLACED AT THE ENGINEERS DISCRETION.
 THE WEIGHT OF THE INLET GRATE WILL HOLD FABRIC IN PLACE
 FOR INLET WITHOUT A CURB HEAD.

INLET PROTECTION - TYPE B

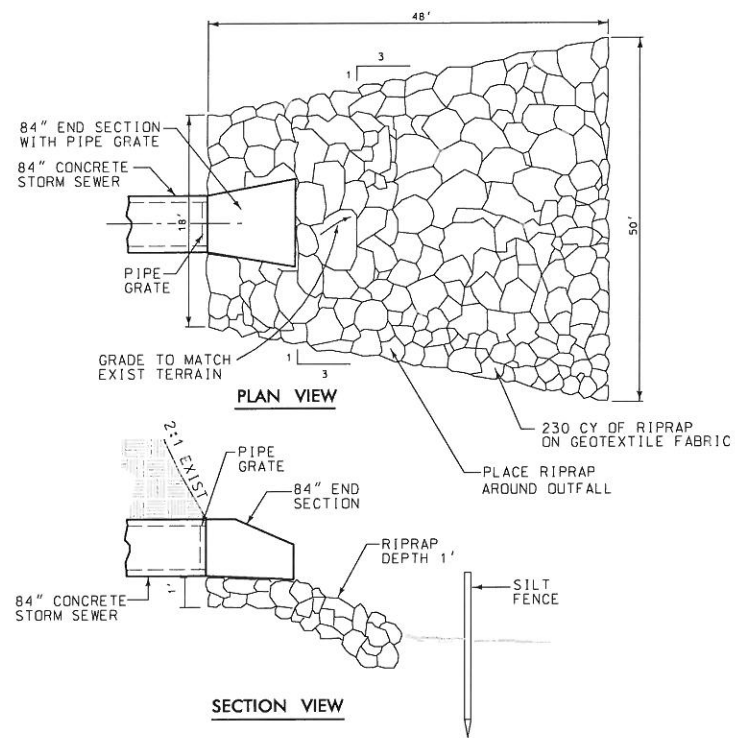


COFFER DAM DETAIL



NOTES:
 1. CONTRACTOR SHALL CONSTRUCT ACCESS ROUTE PRIOR TO START OF CONSTRUCTION AND INSTALL AND MAINTAIN TRACKING PAD UNTIL WORK IS COMPLETED.
 2. CONTRACTOR SHALL CLEAN EXISTING STREETS DAILY.

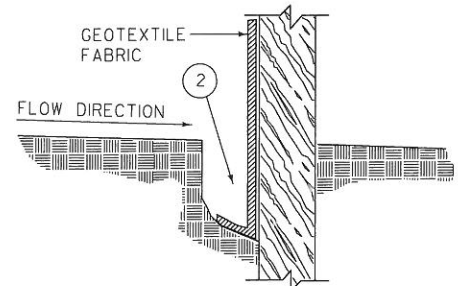
TRACKING PAD DETAIL



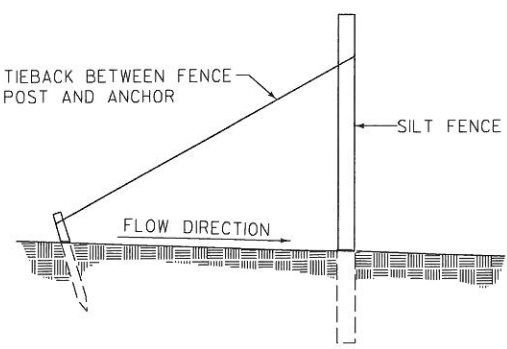
PLAN VIEW

SECTION VIEW

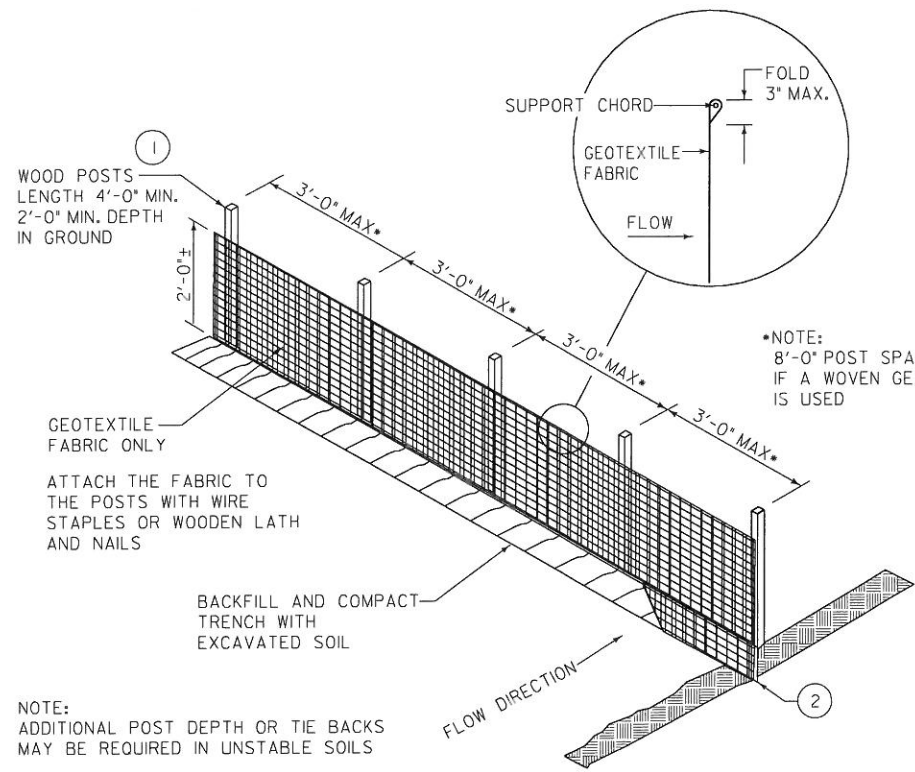
MILWAUKEE RIVER OUTLET RIPRAP DETAIL



TRENCH DETAIL



SILT FENCE TIE BACK
 (WHEN REQUIRED BY THE ENGINEER)



NOTE:
 ADDITIONAL POST DEPTH OR TIE BACKS MAY BE REQUIRED IN UNSTABLE SOILS

*NOTE:
 8'-0" POST SPACING ALLOWED IF A WOVEN GEOTEXTILE FABRIC IS USED

SILT FENCE

NO.	REVISIONS	BY	DATE	VERIFY SCALES	DRAWN BY:		DESIGNED BY
					PRELIM	FINAL	
		MG		BAR IS ONE INCH ON ORIGINAL DRAWING.	BJG	BJG	C. WALTER
				IF NOT ONE INCH ON THIS SHEET, ADJUST SCALES ACCORDINGLY			CHECKED BY T. HARTJES
					DATE		SCALE
					JULY, 2012		NTS
REVISED TO CONFORM TO CONSTRUCTION RECORDS							
DATE BY							

CRISPELL-SNYDER, INC.
 PROFESSIONAL CONSULTANTS
 Lake Geneva (262)348-5600 Madison (608)244-6277 Milwaukee Regional (262)250-8000
 Racine (262)554-8530 Fox Valley (715)752-4620

EROSION CONTROL DETAILS
SOUTH SIDE STORM WATER IMPROVEMENTS
VILLAGE OF WHITEFISH BAY
MILWAUKEE COUNTY, WI

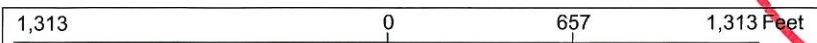
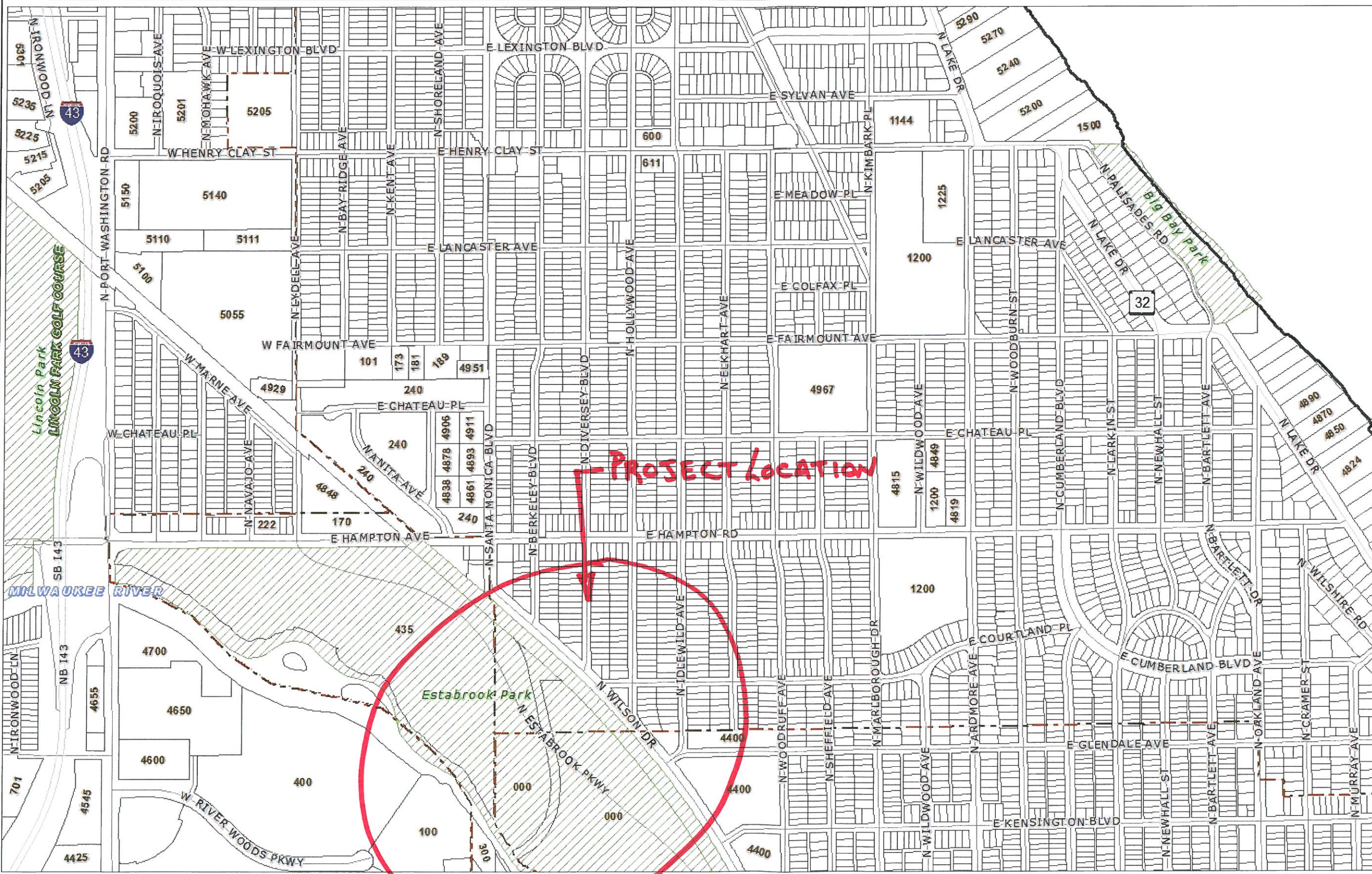
PROJECT NO. R11-0861-100
SHEET NO. 1 OF 1
FILE NO.



MILWAUKEE COUNTY INTERACTIVE MAPPING SERVICE

Legend

- County Boundary
- Highways, to 8k
- Street Centerlines, 0k to 8k
- Railroad 8k
- Water 8k
- Rivers 8k
- Airport 8k
- Landmarks 8k
- County Parks 8k
- Municipal Subdivisions 25k
- Tax Parcels



DISCLAIMER: This map is a user generated static output from the Milwaukee County Land Information Office Interactive Mapping Service website. The contents herein are for reference purposes only and may or may not be accurate, current or otherwise reliable. No liability is assumed for the data delineated herein either expressed or implied by Milwaukee County or its employees.

Notes
Enter Map Description